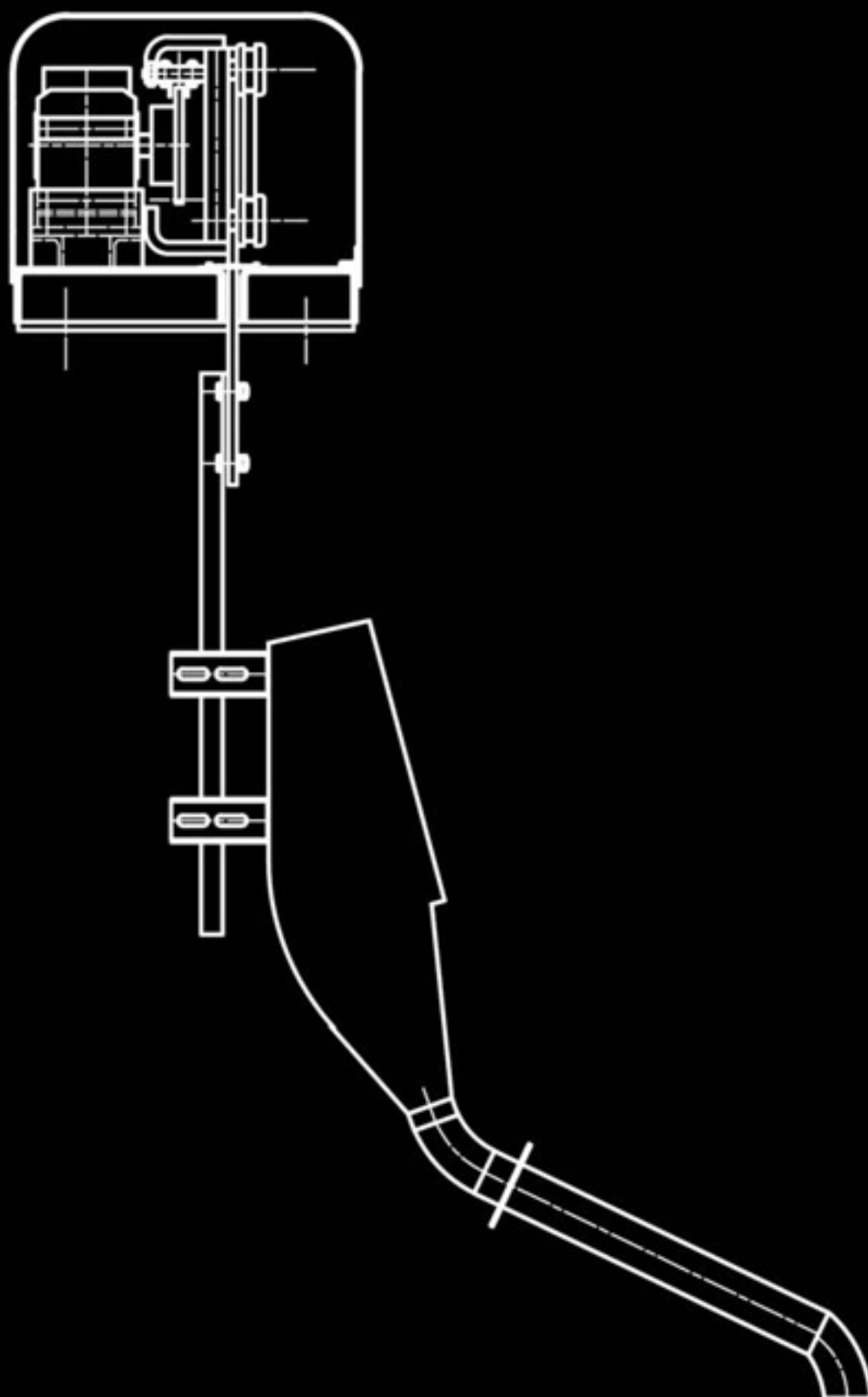




slurry samplers



OUR COMPANY

MIP Process Technologies (Pty) Limited is a South African Process Equipment sales and manufacturing company offering customised and innovative process solutions for the Mining, Minerals Processing and related industries. The 100% black-owned and black-managed company was established in 2007. MIP Process is accredited with Level 1 BEE Status, which is the highest that can be achieved. We pride ourselves on being truly customer-centric with unsurpassed levels of customer service.

MIP Process Technologies (Pty) Limited's mission is to be the preferred supplier of process equipment with an offering that is underpinned by:

- customer focus
- reliability
- innovation
- continuous improvement

We specialise in the supply of Process Equipment, but have the capability to assist with plant design around our core technologies.

BACKGROUND TO SLURRY SAMPLERS

The demands on modern day mineral processing plants are enormous, which means control and monitoring is of paramount importance. Sampling is a valuable tool to assist with optimisation and maximising of recoveries and grade. The accuracy of the sample is directly related to the design of the sampler. Since sampling is based on statistics, the minimising of statistical errors maximises the accuracy.

MIP Slurry Samplers can be supplied for a variety of applications in the mineral processing industry. Some applications where sampling has proved invaluable include:

- Cyclone Overflow (flotation feed)
- Final Tailings
- Intermediate Base Metal Concentrates
- Final Flotation Concentrate
- Carbon-in-Leach Streams

SLURRY SAMPLERS TYPES AND SIZES

Cross Cut Samplers

The MIP Automatic Cross-Cut Sampler is designed to operate as a primary sampler. Based on the launder size requirements and cutter parking of 150mm on each side, various standard sizes are available to suit each application. The units are available with a width from 300mm to 3500mm. Pulp flowrates up to 5000m³/h can be accommodated. The units are of rugged design with minimum maintenance and low operating costs. Secondary sampling reduces the final sample.

Rotary Samplers

The rotary samplers can be used as primary units catering for pipes from 100NB to 800NB. These samplers consists of a cylindrical enclosed steel housing with feed, discharge and sample ports. The housing is rubber lined for abrasion resistance, with the outer surface painted.

A 450mm diameter rotary "vezin" sampler is used as the secondary unit to reduce the primary sample to a manageable size, e.g. 5 litres per 8 hour shift. They are available with one (1) to four (4) cutters for optimisation of final slurry sample volume.

Pipe Samplers

This is an in-line sampler with no moving parts for installation in pipes from 50NB to 500NB. A continuous representative sample is provided due to the use of our proprietary static mixing vanes prior to sampling.

Control Panels

Single or dual function control panels can be provided.

A retrofit service is offered to enhance performance of existing slurry samplers.

Creating value
through innovative
superior designs and
building of strong
supply capabilities



SLURRY SAMPLER DESIGN

MIP Slurry Samplers are designed to operate continuously for 24 hours per day. Process selections are based on our vast experience in the field of slurry sampling. It is our belief that process equipment should not be designed on the limit since metallurgical operations are dynamic.

ENGINEERING STANDARDS

All engineering, design and construction is based on sound internationally approved engineering principles as well as practical applications.

AFTER-SALES SERVICE

MIP Process Technologies (Pty) Limited's products have been designed to ensure minimal maintenance with easily replaceable parts for minimum downtime.

All our products carry an eighteen (18) month warranty against the industry standard of twelve (12) months. This decreases the risk when buying MIP Process equipment. We offer an after-sales service and our Technical and Service departmental staff is available on a continuous seven (7) days a week basis to offer assistance.

A team of process and mechanical engineers, who have experience in Coal, Base Metals, Platinum and Gold markets, are available. Field service technicians provide further support.

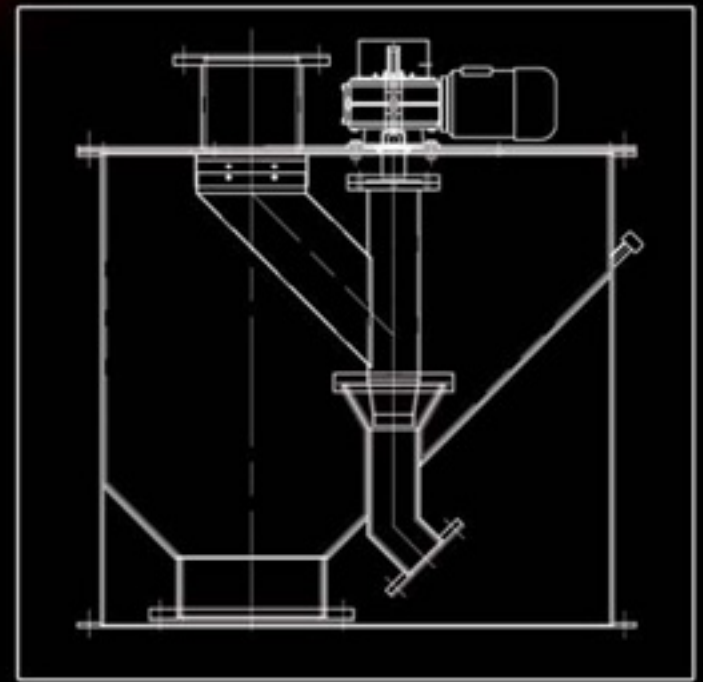
BENEFITS

A range of benefits are available to business partners when purchasing Slurry Samplers from us.

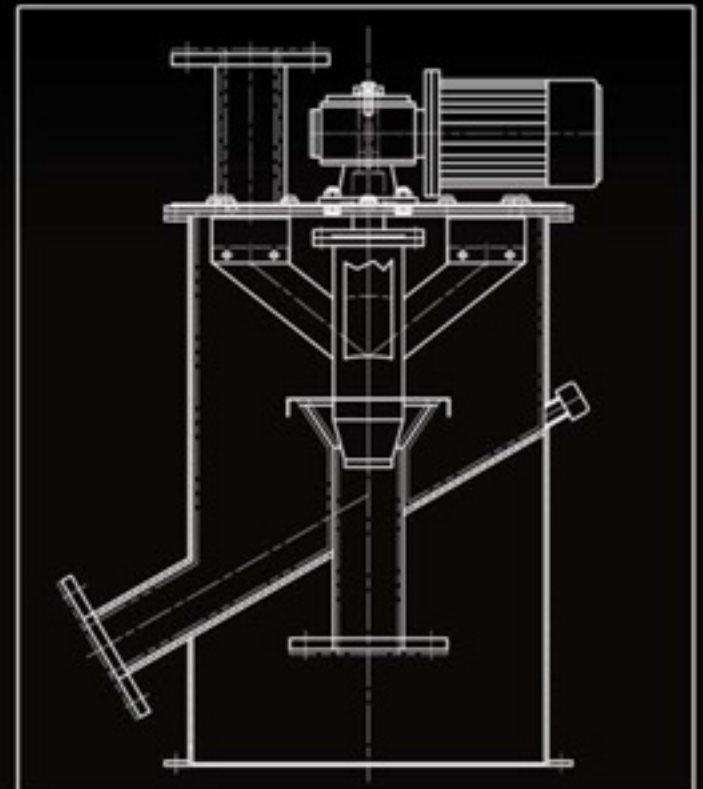
Feature	Benefits
Consistent travel velocity through stream	The cutter box is positively driven through the stream via a heavy duty chain, in the case of the cross-cut sampler, and a direct coupling to a gearbox on a rotary sampler.
Correct cutter speed	All our samplers are designed to travel at less than the maximum sampler cutter velocity, in order to ensure that we do not displace any portion of the stream that should have reported to the cutter.
Cutter box design	Replaceable blades ensure a consistent sample is taken every time.
Machined based	The base frame on the cross-cut sampler, is machined to ensure that the run-way bar and the cutter carriage are perfectly aligned.
Fiberglass cover	The cross-cut samplers have an easily removable cover. This allows for easy inspection of the internal components.
Automatic chain tensioner	A self-tensioning device is fitted to the units, negating the use of any additional supports and sprockets. The device always keeps the correct tension and prolongs chain life.

We require the following information to provide an optimum sampling system:

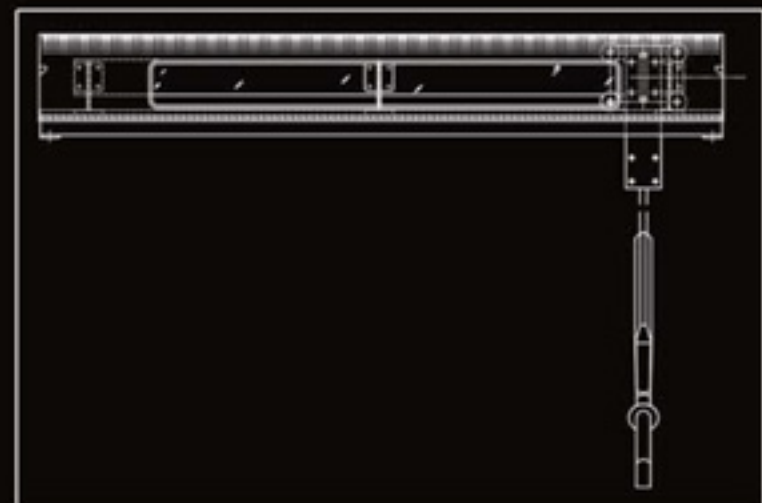
- Feed Pulp flowrate
- Description of stream, launder or pipe diameter
- Application
- Material characteristics
- Final sampling required e.g. 5 litres per 8 hour shift



Primary Rotary Sampler



450mm ϕ Vezin Sampler



Launder Sampler



Chemineer HT Agitator



26m ϕ Thickener in operation



MIP-200 Flocculant Plant



30m² Linear Screen

Project Management

Owing to the high level of importance that MIP Process Technologies (Pty) Limited places on delivery, we ensure that each project has a world-class management team. This is coupled with the resources of highly experienced subcontractors, for the different aspects of each project.

Low Investment

Capital costs - Our equipment design is conservative and robust to ensure it is still in operation many years from now. We understand that process conditions can change and make allowances for this.

Test Facility

A comprehensive test facility is available to our customers. Preliminary sizing can be done using our extensive database.

MIP Value Proposition

The MIP designs consider not only the customer's process data, but also the long-term mechanical performance, maximum circuit efficiency, availability and minimised operating costs.

PRODUCTS & SERVICES

MIP PROCESS TECHNOLOGIES strives to design and manufacture process equipment that is technically advanced, reliable and customised for each application. We believe that each ore body is different and a 'fit for all design', is not necessarily the optimum solution.

Our designs are simple yet robust and reliable. Our philosophy is to minimise the customer's total operating costs, thus minimising capital and operating expenditure.

The full product range includes:

- Attrition Scrubbers
- Clarifiers and Thickeners
- Chemineer range of Mixers and Agitators
- Flocculant and Reagent Make-up Plants
- Horizontal Linear Screens
- Moyno Progressive Cavity Pumps
- Slurry Samples

CONTACT DETAILS

Physical

Ground Floor, The Business Centre,
8 Gembok Lane (off 12th Avenue), Rivonia, 2128

Postal

P.O. Box 677, Kelvin, 2054

Telephone No.

+27 (0)11 612-3217

Telefax No.

+27 (0)86 682-2394

E-Mail

sales@mipprocess.com

Website

www.mipprocess.com